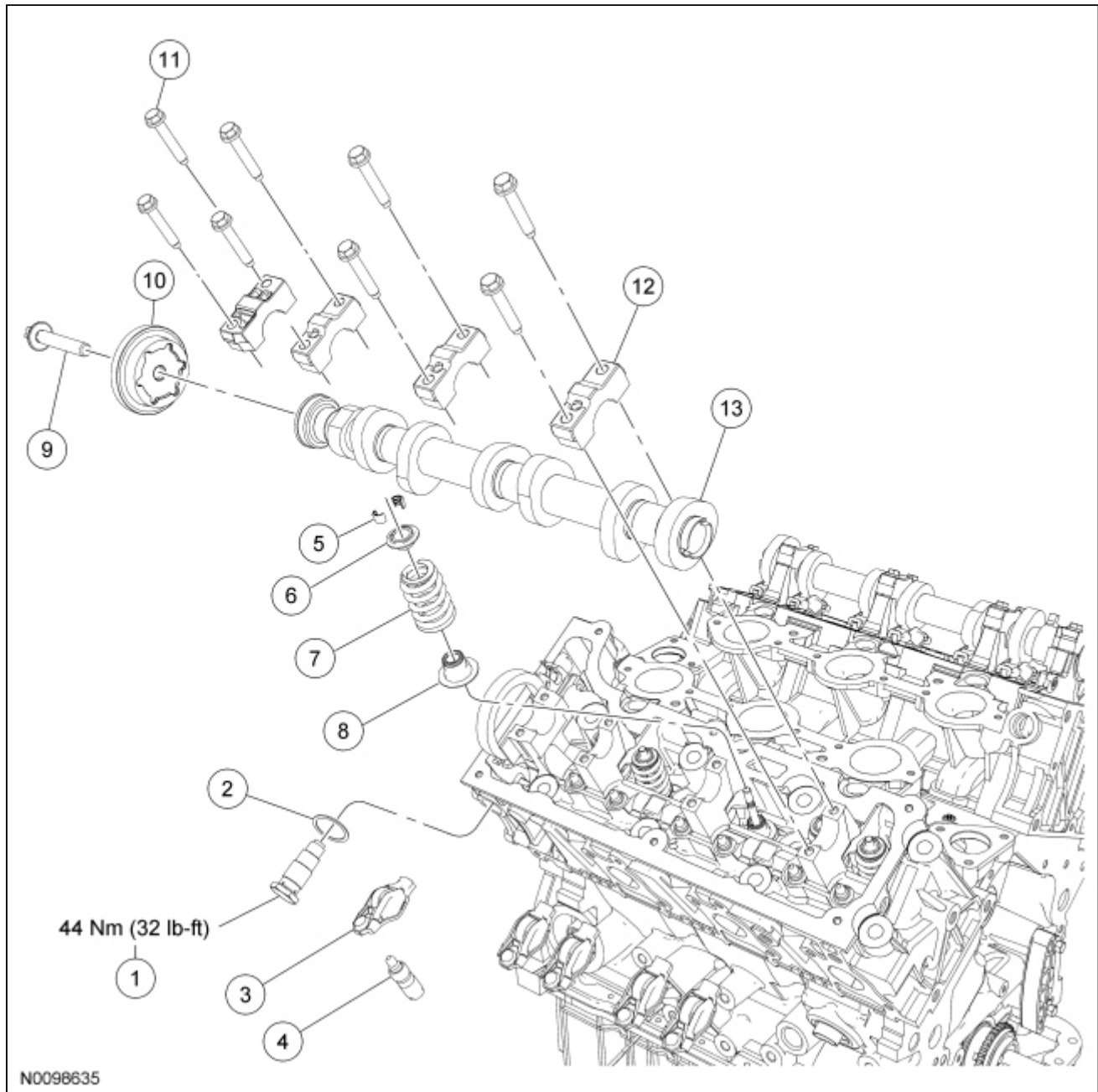


## Valve Train Components — Exploded View

### RH Side

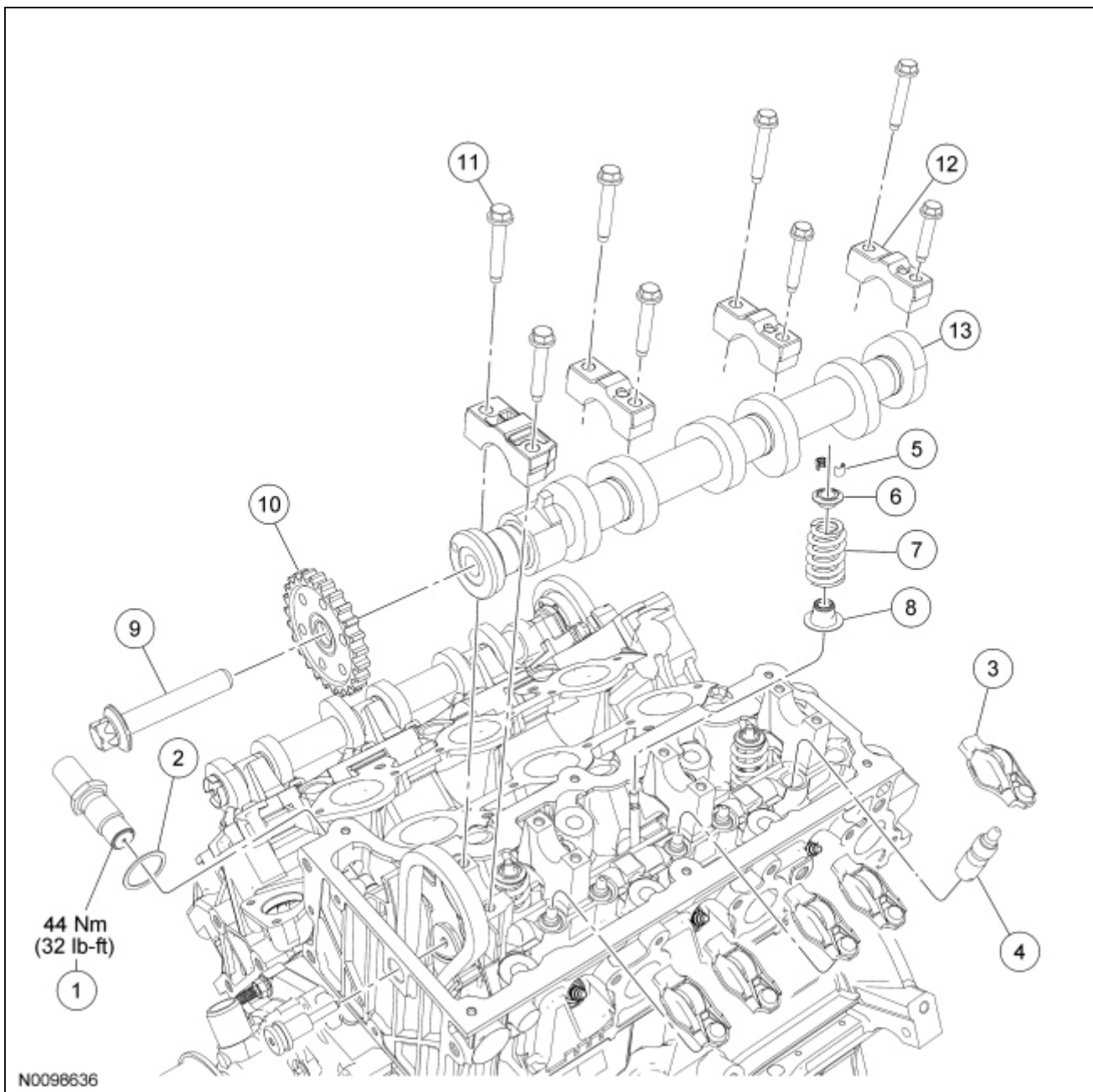


N0098635

Item	Part Number	Description
1	6K254	RH hydraulic chain tensioner
2	6M252	RH hydraulic chain tensioner washer
3	6529	Camshaft roller follower (6 required)
4	6C501	Hydraulic lash adjuster (6 required)
5	6518	Valve spring retainer key (12 required)
6	6A536	Valve spring retainer (6 required)

7	6513	Valve spring (6 required)
8	6571	Valve seal (6 required)
9	6M276	RH camshaft sprocket bolt
10	6256	RH camshaft sprocket
11	W702341	Camshaft bearing cap bolt (8 required)
12	6A258	Camshaft bearing cap (4 required)
13	6250	RH camshaft

**LH Side**



Item	Part Number	Description
1	6K254	LH hydraulic chain tensioner
2	6M252	LH hydraulic chain tensioner washer

3	6529	Camshaft roller follower (6 required)
4	6C501	Hydraulic lash adjuster (6 required)
5	6518	Valve spring retainer key (12 required)
6	6A536	Valve spring retainer (6 required)
7	6513	Valve spring (6 required)
8	6571	Valve seal (6 required)
9	6M276	LH camshaft sprocket bolt
10	6M267	LH camshaft sprocket
11	W702341	Camshaft bearing cap bolt (8 required)
12	6A258	Camshaft bearing cap (4 required)
13	6A274	LH camshaft

1. For additional information, refer to the procedures in this section.
-